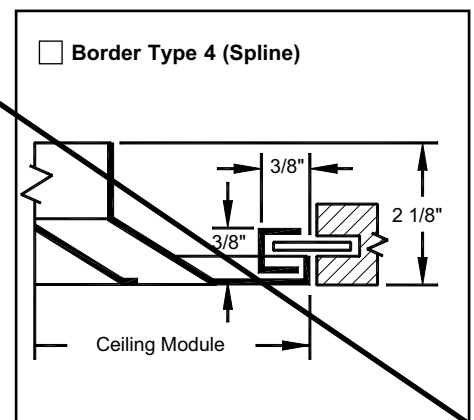
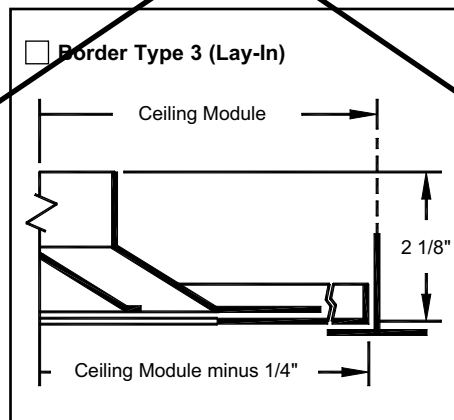
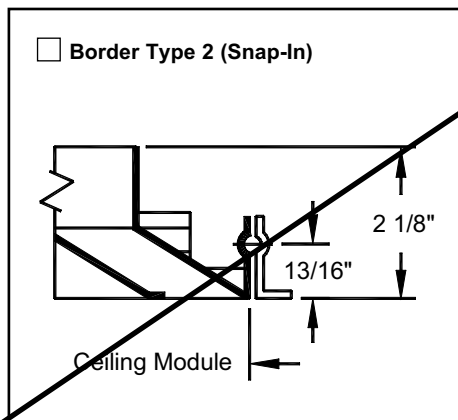
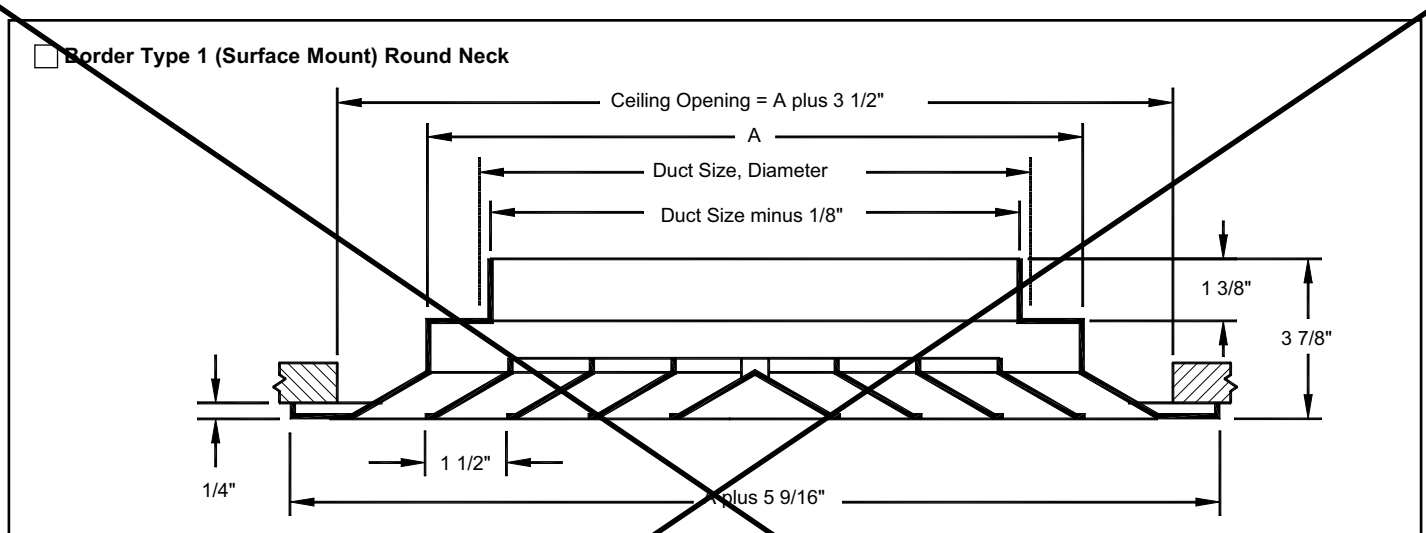
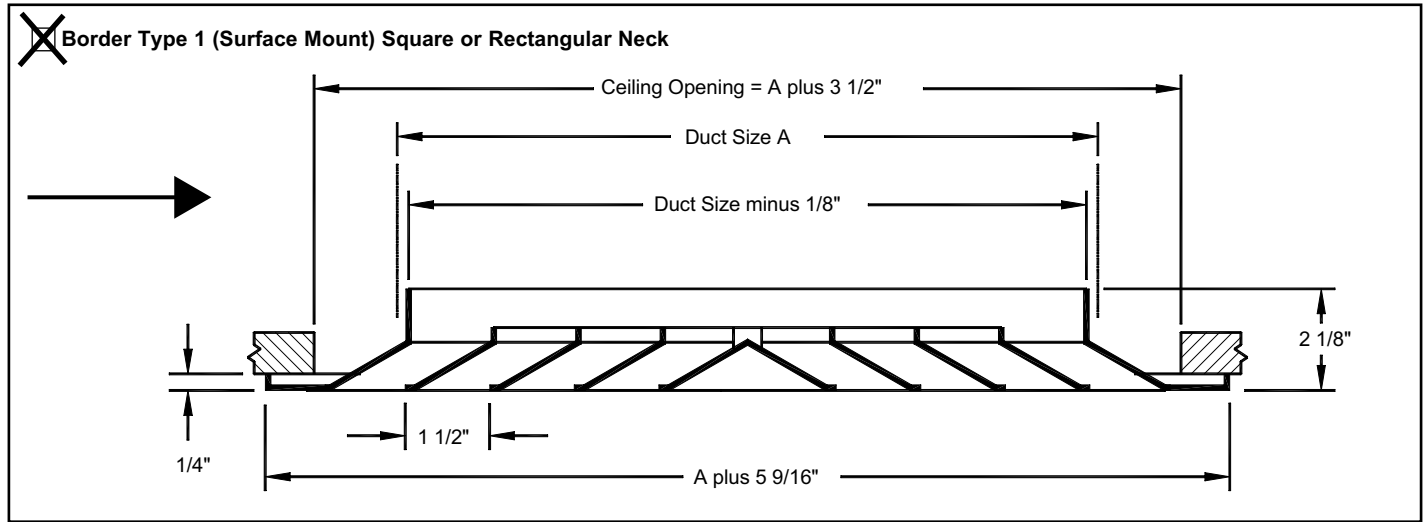


Square and Rectangular Ceiling Diffusers
Steel • Louvered Face • High Capacity

Model: TDC • Square, Rectangle or Round Neck

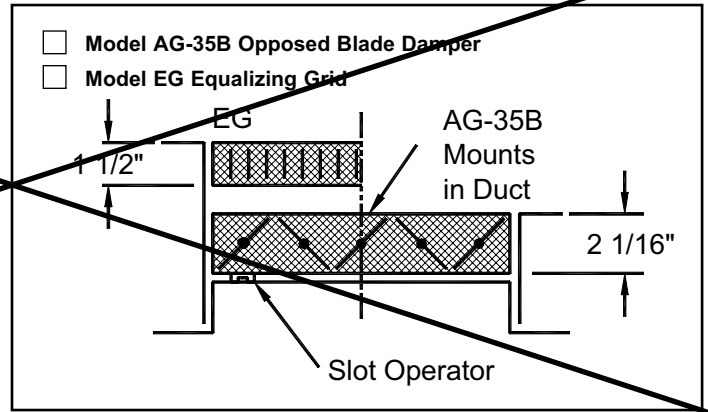
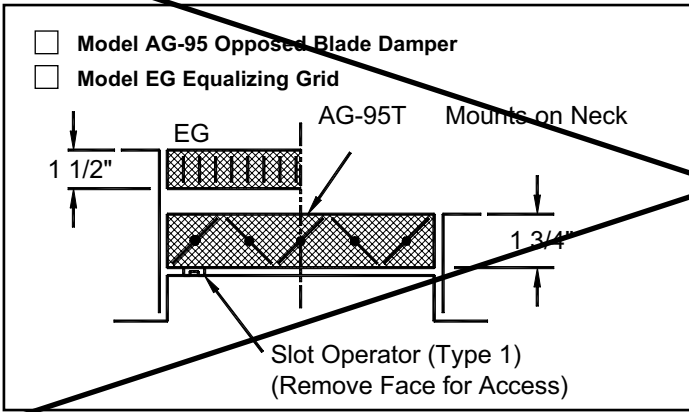


For Dimensions "A" see table on next page.

Dimensions are in inches.

Accessories (Optional) for Rectangular Neck

Check if provided



All dimensions are in inches.

Other Accessories (Optional)

Standard Finish: #26 White

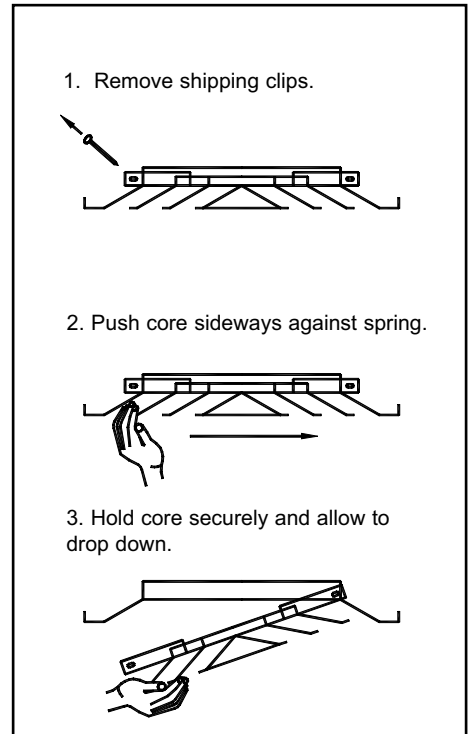
- Model TRV Throw Reducing Vanes
 Model SR Square-to-Round Transition

Optional Patterns

Check selection

1 Way	S1 Square	A1	B1
2 Way	A2	S2 Square	B2
2 Way Corner	E2	B3	G2 Square
3 Way	A3	E3	<p>For A3, $X > Y$ For A3-2, $X > Y, X < 2Y$ For B3, $X = 2Y$ For E3, $X > 2Y$</p> <p>* Dimensions X and Y shown here are the proportions of available rectangular duct sizes. Duct sizes are available in 3" increments. Dimension X is always the longer dimension for each core option.</p>
4 Way	A4 Square	B4	

Removing Center Core



General Description

- TITUS Model TDC is a high capacity ceiling diffuser. Because it maintains an unbroken horizontal flow pattern from maximum cfm down to minimum, it is an excellent choice for variable air volume application.
- Core is removable from the face of the diffuser.
- Model TDC is extremely flexible, with cores available for 1, 2, 3 or 4-way horizontal flow patterns.
- Lever operator on optional Model AG-95 damper allows easy volume adjustment from the face of the diffuser. (Rectangular necks only).
- Material is heavy gauge steel.



Note: This submittal is meant to demonstrate general dimensions of this product. The drawing on this submittal are not meant to detail every aspect of the product with exactness. Drawings are not to scale. TITUS reserves the right to make changes without written notice.

D-38.0-S