



Submittal

- TBD-80 • 1, 2, 3 or 4 Slots
- TBDI-80 • ~~1, 2, 3 or 4 Slots~~ • Insulated

Plenum Slot Diffusers
Adjustable • Gasket Tipped Blade

Optional Internal Insulation (TBDI Models)

Optional Center T-Bars are shown above

S Slot Width	W (Width)			
	1 Slot	2 Slot	3 Slot	4 Slot
3/4	1 3/4	3 1/2	5 1/4	7
1	2	4	6	8
1 1/2	2 1/2	5	7 1/2	10

Standard Inlets	Oval (in.)
Low Profile	6, 8, 10, 12

Standard Inlet Size	A	B
6" Oval	6 1/4	5 1/4
8" Oval	9 3/8	5 1/4
10" Oval	12 1/2	5 1/4
12" Oval	15 9/16	5 1/4

Note: Diffusers with 12" inlets are 11" high instead of 8".

Note: End caps not insulated.

Accessories (Optional) Check if provided.

Optional Factory-Furnished T-Bars

No T-Bars
 One T-Bar, Inlet Side
 One T-Bar, Side Opposite Inlet
 Two T-Bars, Outside Edge
 All T-Bars
 All Center T-Bars, No Outside T-Bars

Two T-Bars, Center & Inlet Side
 Two T-Bars, Center & Side Opposite Inlet

Note: Factory supplied outside T-bars are 1" wide. Center channels are provided on 2-4 slot units when T-bars are by others.

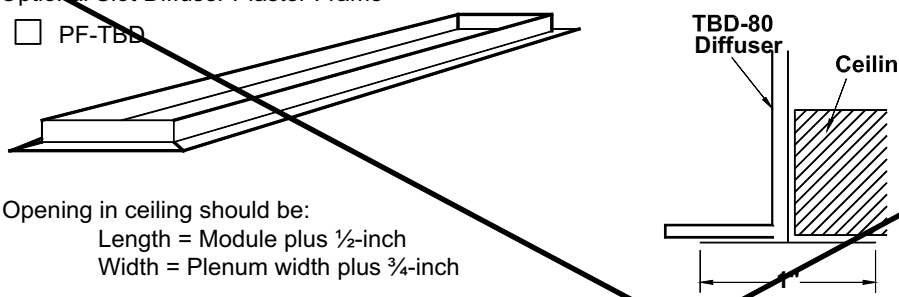
Accessories (Optional) Check if provided.

Internal Insulation (TBDI-80) Note: End caps are not insulated.

High Profile 11" Plenum Height for 1 and 2 Slot Units.

Optional Slot Diffuser Plaster Frame

PF-TBD



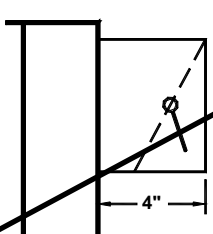
Opening in ceiling should be:
 Length = Module plus 1/2-inch
 Width = Plenum width plus 3/4-inch

TBD-80 Diffuser
 Ceiling

The PF-TBD slot diffuser mounting frame can be used in sheetrock or plaster ceiling. The frame is mounted in the ceiling by others. The TBD-80 is mounted on the inside lip of the frame. Plaster frame is 1 1/2" high.

Optional Inlet Damper

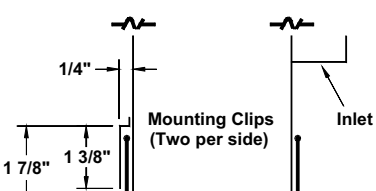
ID (Shipped loose)



4"

Optional Mounting Clips

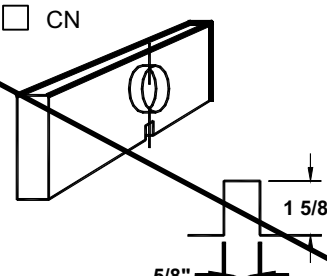
MTC-1 (One side)
 MTC-2 (Both sides)



1/4"
 1 7/8" 1 3/8"
 Mounting Clips (Two per side)
 Inlet

Optional Cross Notch

CN



1 5/8"
 5/8"

Standard Finish: #02 Black pattern controllers and exposed surfaces, white optional T-Bars.

General Description

- 1 and 2 slot TBD-80's are low profile diffusers, only 8" high. 3 and 4 slot diffusers are 11" high.
- Outside edge of face has double metal thickness to ensure rigidity and straightness.
- Easily adjusted from vertical to horizontal pattern from the face.
- The TBD-80 is excellent for variable volume systems. When adjusted for a horizontal flow, the gasket tipped blade provides a seal with the edge of the diffuser to ensure a horizontal pattern from minimum to maximum flow.
- Standard unit for T-bar lay-in. Available for other ceiling systems. Contact your local TITUS Representative.
- Available with 3/4", 1" and 1 1/2" slots.
- Number of slots available: 1, 2, 3 and 4.
- Standard lengths: 24", 36", 48", 60".
- 24" length has 1 blade per slot. Lengths 36", 48" and 60" have 2 blades per slot.
- Material is steel.

This submittal is meant to demonstrate general dimensions of this product. The drawings are not meant to detail every aspect of the product. Drawings are not to scale. Titus reserves the right to make changes without written notice.