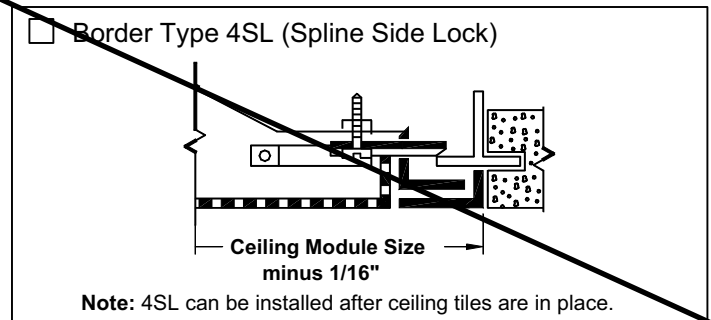
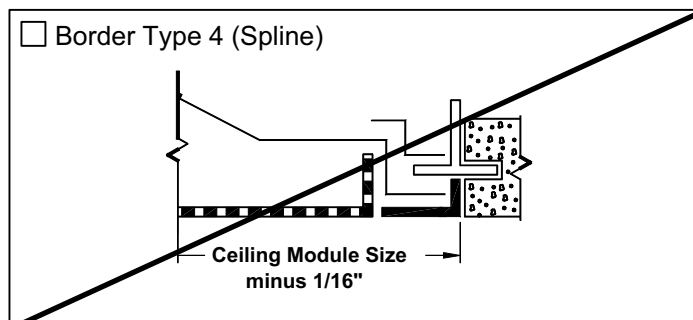
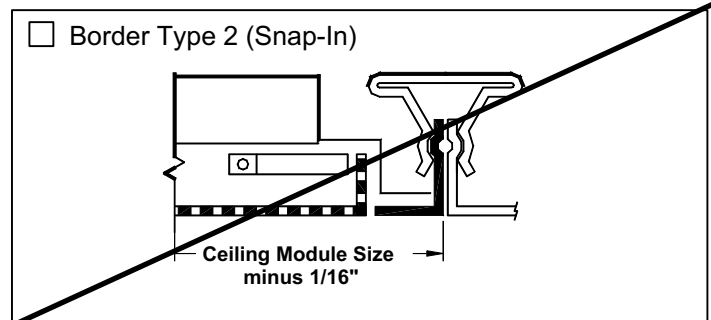
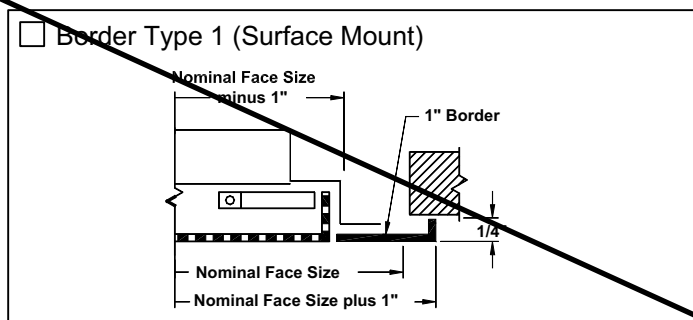
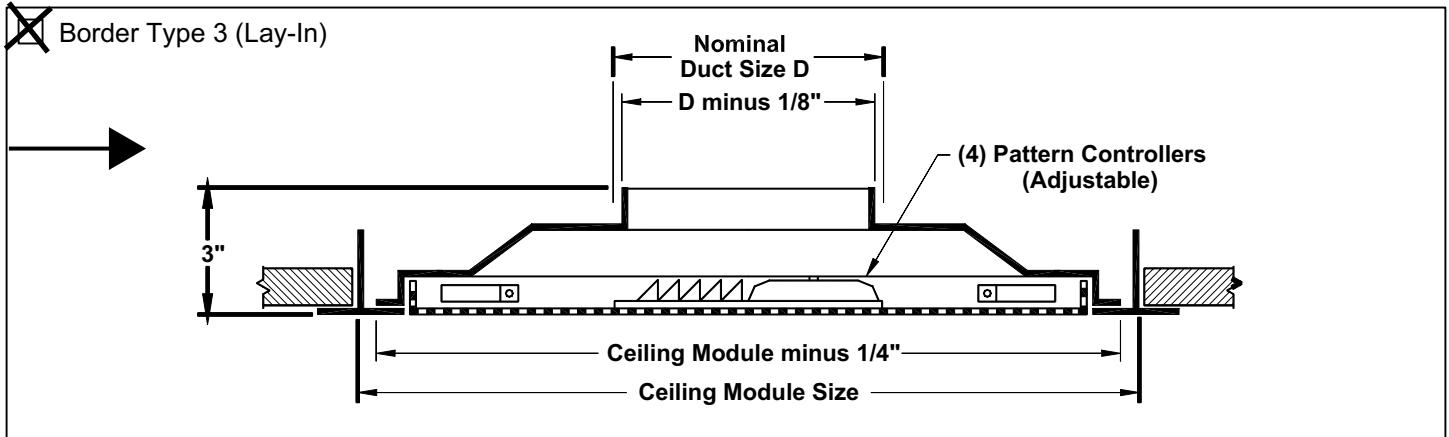


PAS • Supply • 1, 2, 3, or 4 Way Adjustable Discharge Pattern

Perforated Ceiling Diffusers
Steel • Flush Face



Available Sizes for Border Types 1, 2, 3, 4, 4SL

Face or Ceiling Module Size	Nominal Duct Size D													
	6 x 6	8 x 8	10 x 10	12 x 12	15 x 15	18 x 18	18 x 6	6" Dia.	8" Dia.	10" Dia.	12" Dia.	14" Dia.	16" Dia.	
12 x 12														
24 x 12														
16 x 16														
20 x 20														
24 x 24														
48 x 24														

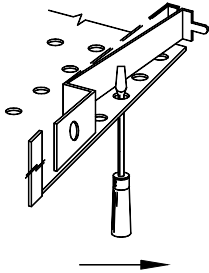
• Indicates available combination

All dimensions are in inches.

Removing Perforated Face

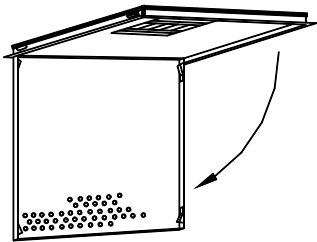
1. Insert small Screwdriver or other slim instrument to push latch inward from border.

2. Repeat on opposite side.



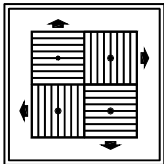
3. Face will now swing down with 2 remaining latches acting as hinges.

For complete removal, release 2 remaining latches at left.

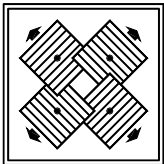


Adjusting Pattern Controllers

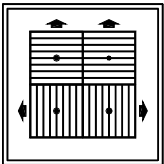
4-Way



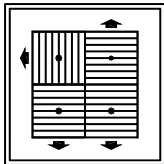
4-Way Corner



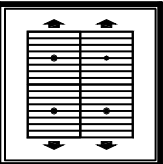
3-Way



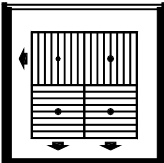
3-Way



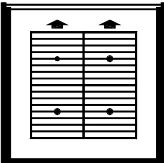
2-Way



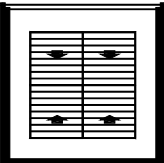
2-Way Corner



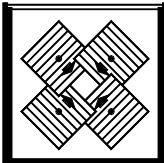
1-Way



Vertical



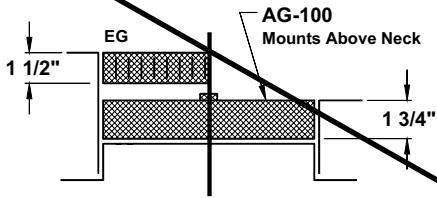
Vertical



Accessories (Optional) for Round Neck

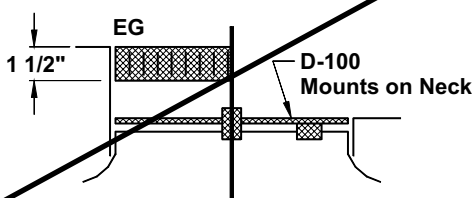
Check if provided.

- Model AG-100 Radial Sliding Blade Damper
- Model EG Equalizing Grid



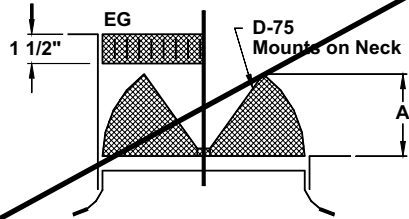
Model AG-100 damper is available in duct sizes 6 thru 14 inches only.

- Model D-100 Radial Sliding Blade Damper
- Model EG Equalizing Grid



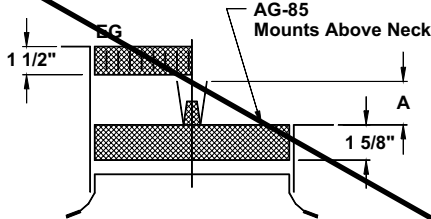
Model D-100 damper is available in duct sizes 6 thru 14 inches only.

- Model D-75 Opposed Blade Damper
- Model EG Equalizing Grid



Model D-75 damper is available in duct sizes 6 thru 12 inches only.

- Model AG-85 Butterfly Damper
- Model EG Equalizing Grid



Standard Finish: #26 White

General Description

- Excellent performance in variable air volume systems.
- A tight, uniform horizontal blanket of air protects the ceiling against smudging.
- Discharge pattern can be adjusted to vertical as well as to 1, 2, 3 or 4 way horizontal. Can be adjusted before or after installation.
- Discharge pattern is adjusted by dropping the perforated face (see Page 2) and rotating the pattern controllers.
- Dropping the perforated face also gives access for adjusting the optional dampers.
- Perforated face has 3/16" diameter holes on 1/4" staggered centers.
- Inlet collar is approximately 1 1/2" deep to allow easy duct connection.
- Material is heavy gauge steel.

This submittal is meant to demonstrate general dimensions of this product. The drawings are not meant to detail every aspect of the product. Drawings are not to scale. Titus reserves the right to make changes without written notice.