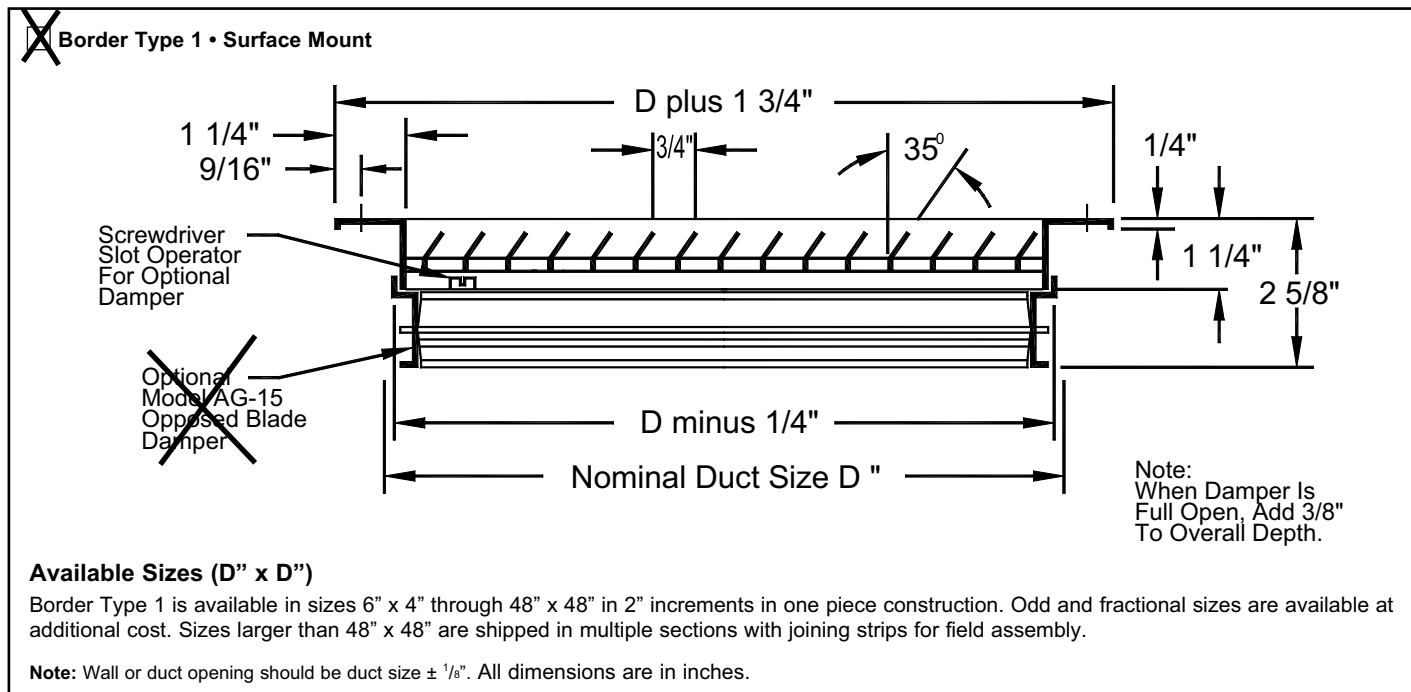


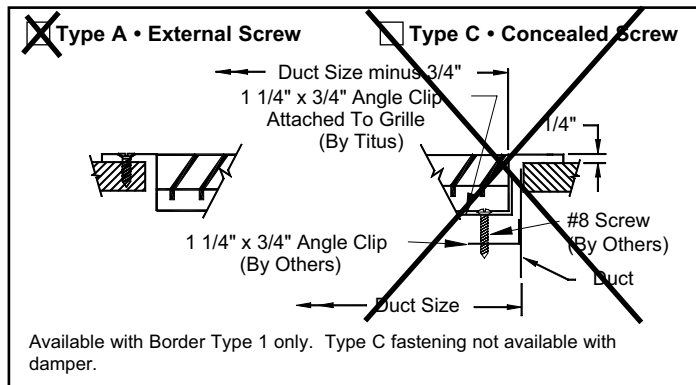
Louvered Return Grilles and Registers • Steel

Models: ~~X~~ 350RL • 35° Deflection • Long Blades • 3/4" Blade Spacing

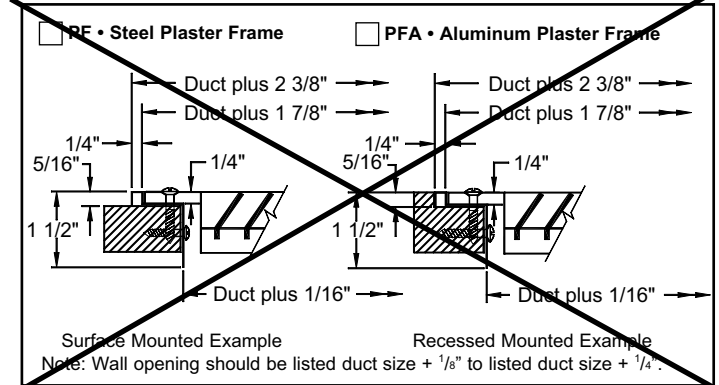
~~□ 350RS • 35° Deflection • Short Blades • 1/4" Blade Spacing~~



Fastenings



Mounting Frames



Accessories (Optional)

Check if provided

Standard Finish: #26 White

- Neck mounted opposed blade damper (galvanized steel)
- IS • Insect Screen (1/16" square mesh – galvanized steel)
- DS • Debris Screen (1/4" square mesh – galvanized steel)
- EOT • Earthquake tabs
- Other _____

~~□~~ **Optional finish:** _____

General Description

- Available with louvers vertical or horizontal.
- #8 x 1 1/4" lg. Phillip's flat head sheet metal screws painted white.
- Optional opposed blade damper has screwdriver adjustment accessible through face of register.
- Material: Steel.
- All dimensions are ± 1/16".